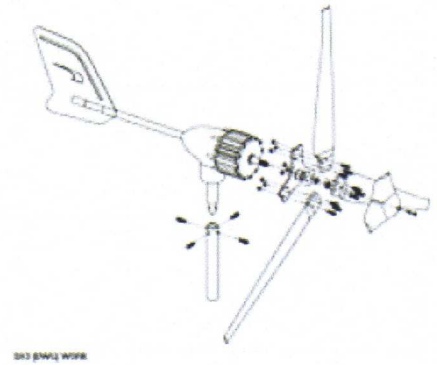


## Model : WI-400-12/24V & WI-600-24/48V



## Specifications

Item	Technical data	
	WI-400-12/24V	WI-600-24/48V
Start-up speed (m/s)	2.3	2.3
Rated speed (m/s)	12	12
Cut-in speed (m/s)	3	3
Rated voltage (DCV)	12/24	24/48
Rated output (W)	400	600
Peak power (W)	450	750
Rotor diameter (m)	1.4	1.8
Blades (pcs)	3	3
Survival wind speed (m/s)	60	60
Weight (kg)	18.2	22.4
Over-speed protection	Blade aerodynamic elastic and electromagnetic	
Over-load protection	Electromagnetic	